

Important Information

We recommend that luminaires are installed by a qualified electrician ensuring the installation complies with current IEE wiring regulations BS7671:2018 & local building control.

- All tests should be carried out in accordance to EN 50172:2004.
- BELL will not accept responsibility for any claims arising from a poor installation.
- The light source of this luminaire is not replaceable: when the light source reaches end of life, the whole luminaire must be replaced.

Important User Advice

- The ambient room temperature should not exceed 35°C.
- Ensure that there is adequate free air ventilation around the fitting.
- Always switch off mains supply before installing.

This product may contain substances that can be hazardous to the environment if not disposed of properly. Electrical and electronic equipment should never be disposed of with general household waste but must be separated for its correct treatment and recovery. Where possible recycle your packaging.

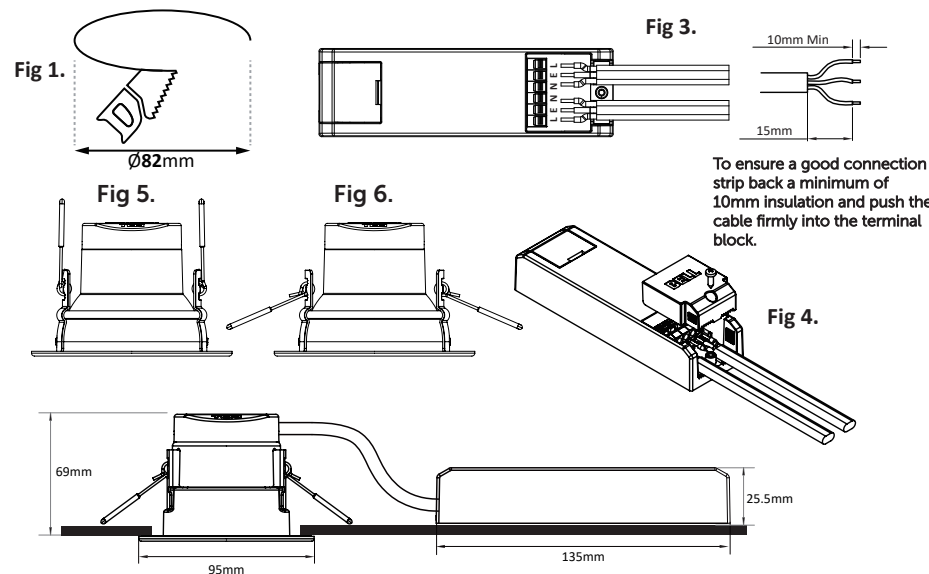


Read these instructions before installation and retain for future reference

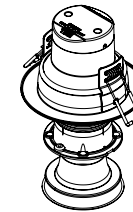
This equipment should be installed by a competent electrician

Installation:

1. Cut a suitable hole in the ceiling as per the cut-out details Ø80mm ensuring that it does not interfere with electrical cables, water/gas pipes or ceiling joists. (see fig 1.)
2. Adjust to required color temperature. (see fig 2)
3. Connect the mains supply to the LED Driver (Brown-Live, Earth-E, Blue-Neutral). (see fig 3.)
4. The LED driver allows for mains loop in/loop out connections, if not looping through either of the L,E,N inputs can be used.
5. Fix the terminal cover to grip the cable (terminal cover is supplied separately in the package). To ensure the cable is fixed securely, we advise using the supplied screws. (see fig 4)
6. Insert the driver to the hole, fold spring clips upwards and insert downlight in to the hole. (see fig 5)
7. Release spring clips to fit downlight. (see fig 6)
8. Test for correct operation



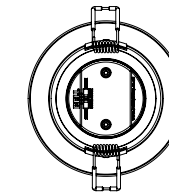
REFLECTOR FITTING/REPLACEMENT



The lamp is supplied complete with a black magnetic reflector.

To change reflectors simply place the magnetic reflector on the fitting.

CCT Colour Settings



Item 10527 is a downlight with a choice of four color temps (2700k, 3000k, 4000k & 6000k). You can choose the colour temperature you prefer via the switch at the rear of the downlight

Insulation Coverable (IC Rated):

The lamp is designed for use with insulation material so that it do not need extra IC cage accessories.

